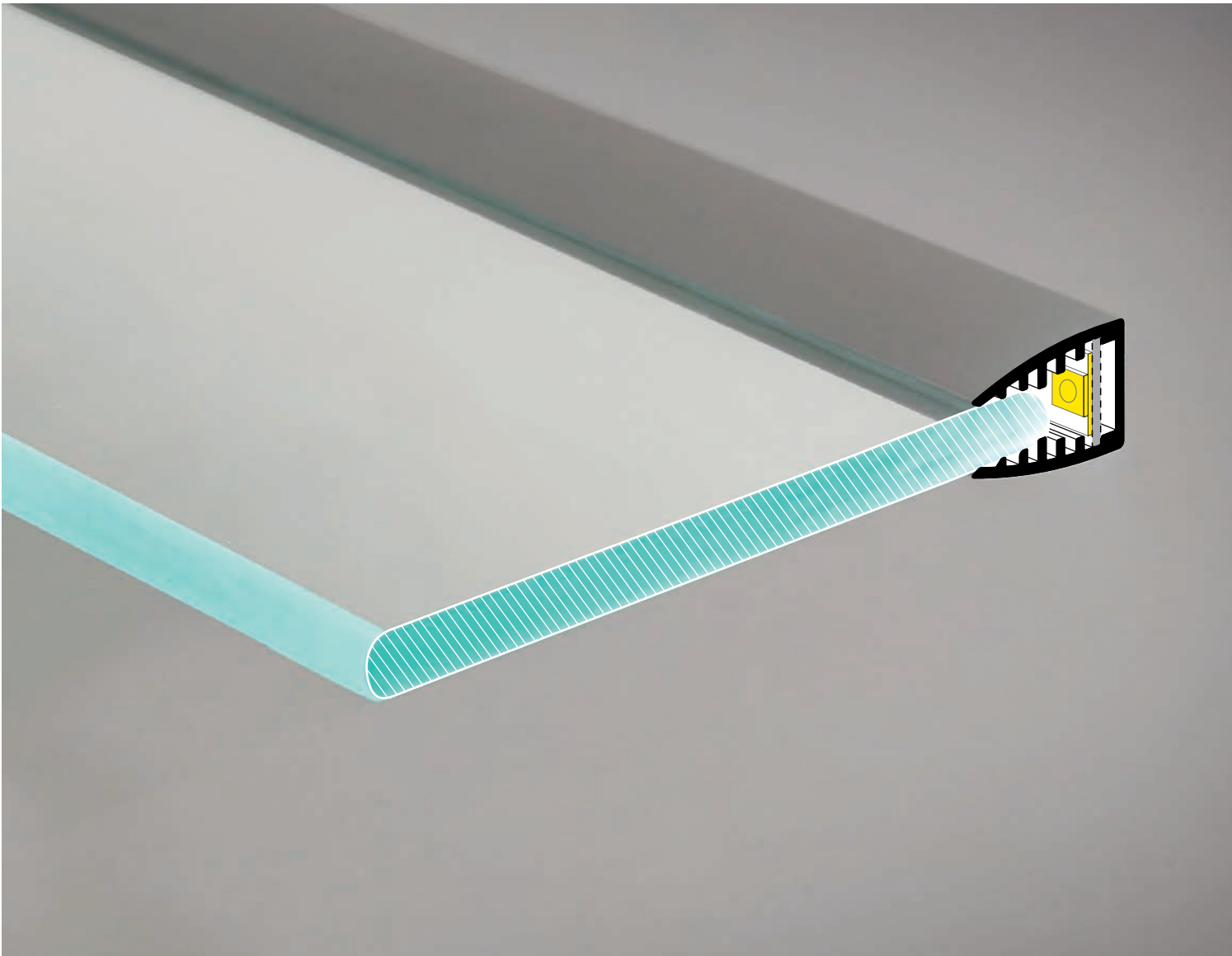




MIKRO10

A SMALL EDGE PROFILE FOR GLASS PANELS

- to illuminate the edge or engraving on the glass panel surface
- to be used for furniture (display cases) or advertising
- discreet form
- fits the 6 mm thick glass panel
- note: the profile is not a construction element
- maximum LED strip width: 10 mm



SIMILAR IN THE OFFER



TWIN8



EDGE10
BC

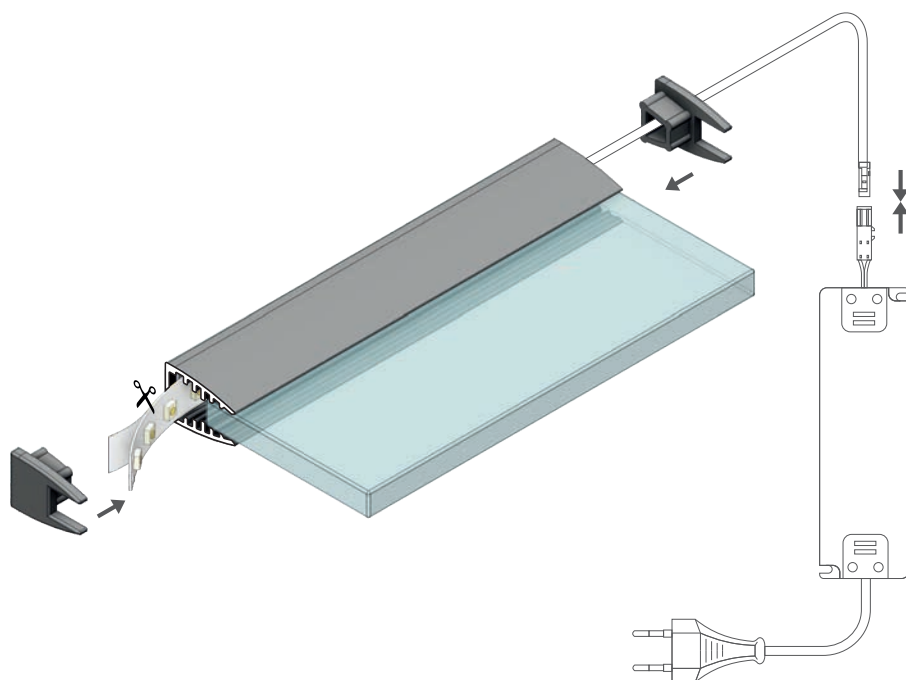
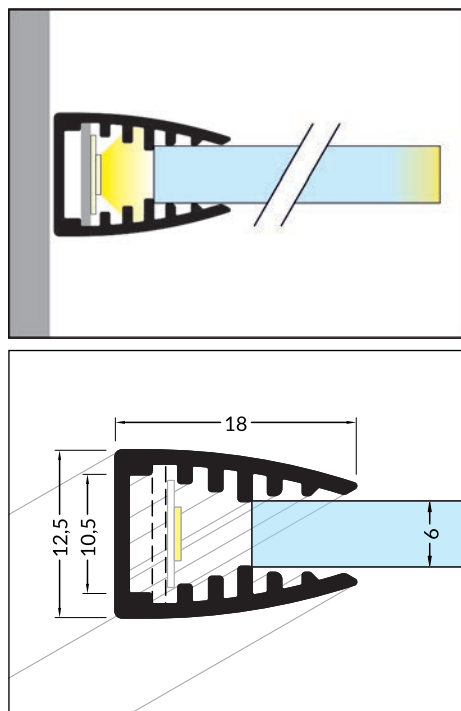


MIKRO-LINE12



CABI12
E

MIKRO10



max 10 mm



glass application

Supplied with:
plastic LED strip holder



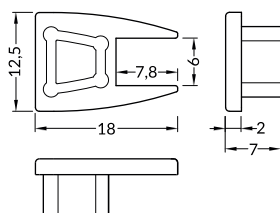
INDEX = 1 pc, length 2000 mm
package = 10 pcs

● anodized
68540020

Available lengths
1000 mm, 2000 mm, 3000 mm, 4000 mm

ENDINGS

MIKRO10 ending
colours: silver, grey, transparent
material: ABS, ABS, PC



INDEX = 1 set
package of 10 sets = 20 pcs

● silver
68550040

● grey
68550022

○ transparent
68550000

LED profiles • glass application

PL Made in Poland

EU-registered industrial design