



FRAME14 BC/Q

ALUMINIUM LED PROFILE FOR PLASTERBOARD

- decorative and lighting profile
- dedicated for plasterboards - decorative construction finish
- continuous line of light (when using LED strip 120 P/m and white cover)
- multiple arrangements through a variety of connectors
- maximum LED strip width: 14 mm



SIMILAR IN THE OFFER



FLAT8
H/UX



DEEP10
BC/UX



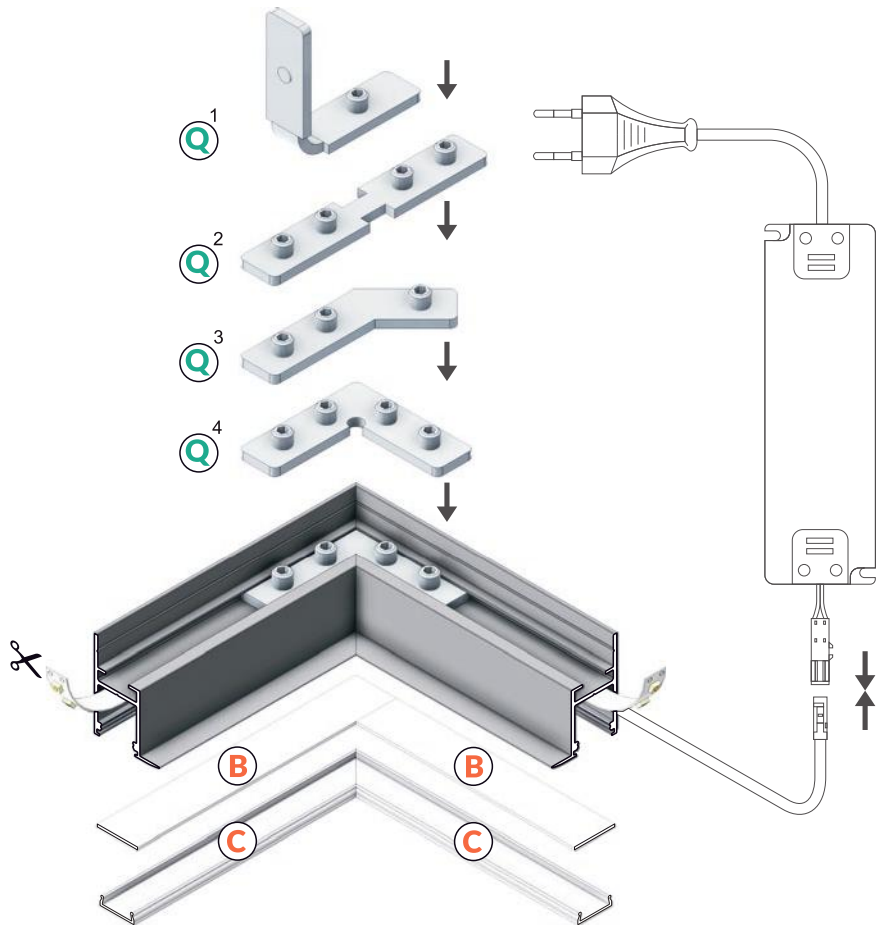
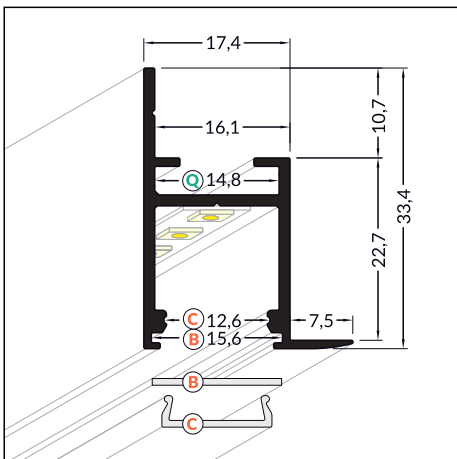
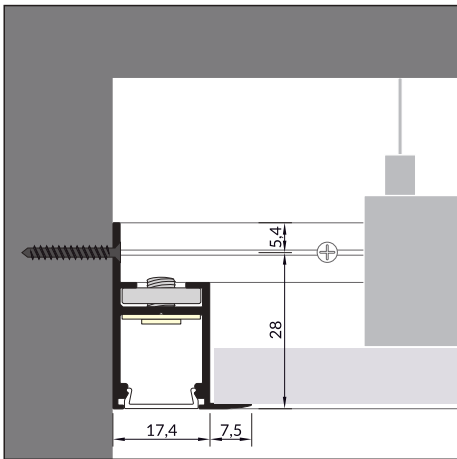
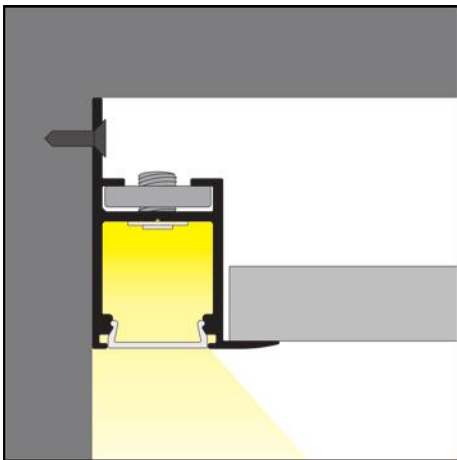
WALLE12
CD

FRAME14 BC/Q

B slide cover


C click cover

Q connector



Please note! The profile isn't a construction profile.

 max 14 mm


 special application



INDEX = 1 pc, length 2000 mm
package = 10 pcs

 white painted
C3020001

 anodized
C3020020

 raw aluminium
C3020000

Available lengths
1000 mm, 2000 mm, 3000 mm, 4000 mm

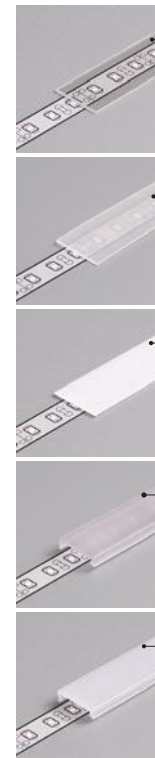
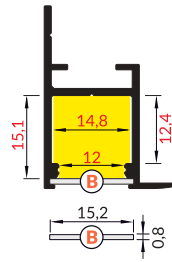


COVERS

B slide cover
 colours: transparent, frosted, white
 material: PC, PP, PP



Note!
 Dimensions of the space
 to install LED source



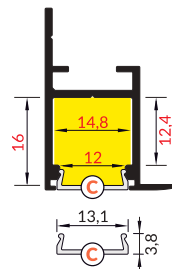
INDEX = 1 pc, length 2000 mm
 package = 10 pcs

B transparent
 76250016

B frosted
 76250039

B white
 76250038

C click cover
 colours: transparent, white
 material: PMMA

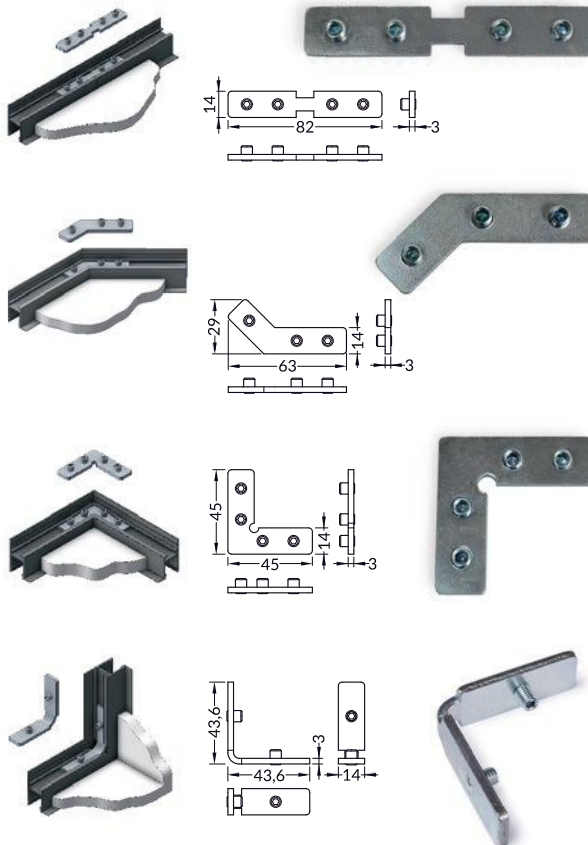


C transparent
 76330000

C white
 76330038

CONNECTORS

Q 180 deg / 135 deg / 90 deg connector
 material: zinc coated



INDEX = 1 pc

Q 180 deg connector
 C3990030

Q 135 deg connector
 C3980030

Q 90 deg connector
 C3970030

Q 90 deg bent connector
 material: zinc coated

Q 90 deg bent connector
 C3960030



Made in Poland



EU-registered industrial design