



FLOOR12 K/U

RECESSED FLOOR PROFILE

- decorative and lighting profile
- high abrasion resistance, resistant cover
- possibility of waterproof
- with high humidity, please use waterproof tape
- maximum LED strip width: 12 mm



SIMILAR IN THE OFFER



STEP10
C



OUTSTAIRS12
BC



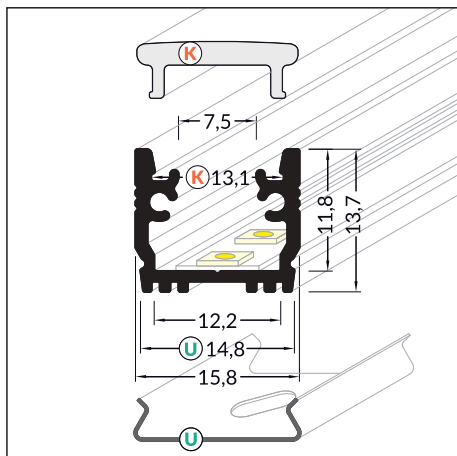
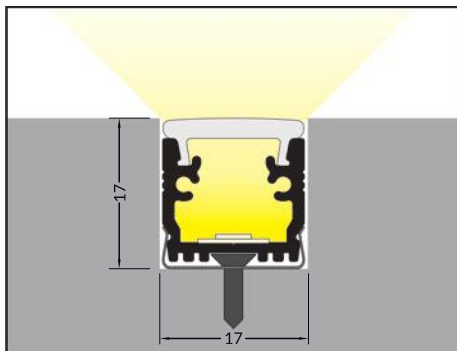
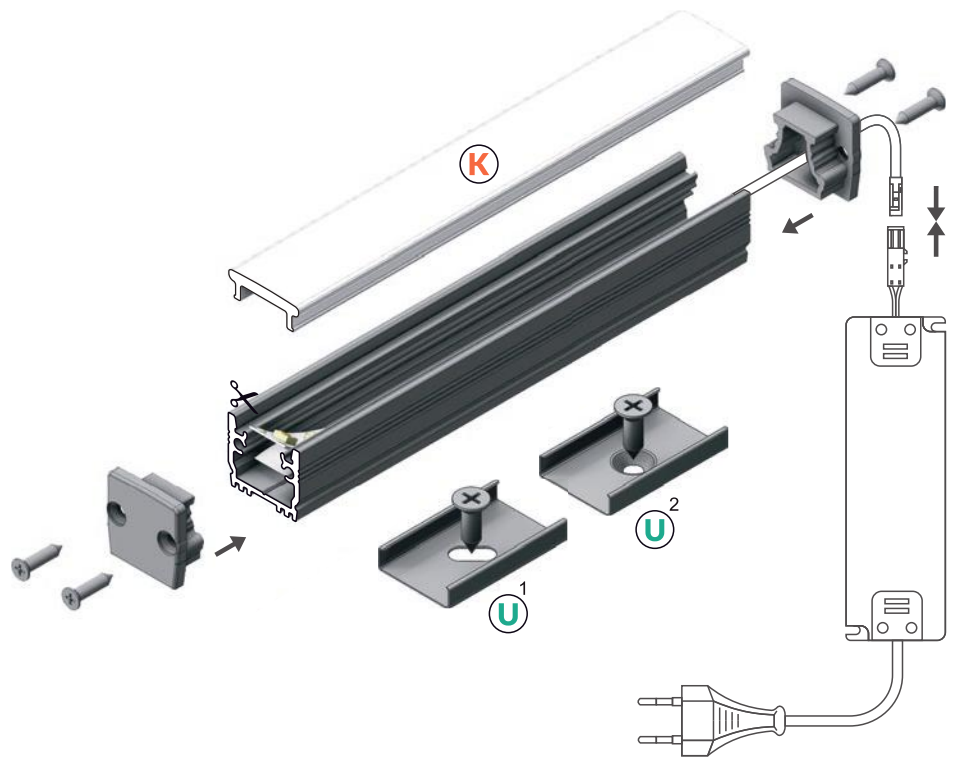
DEEP10
BC/UX



UNI12
BCD/U

FLOOR12 K/U

- K** click cover
- U¹** flexible mounting plate
- U²** cone U flexible mounting plate



INDEX = 1 pc, length 2000 mm
package = 10 pcs

● anodized
B1020020

Available lengths
1000 mm, 2000 mm, 3000 mm, 4000 mm



max 12 mm



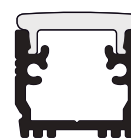
recessed



IK08 (5 J)



↓ 5 J



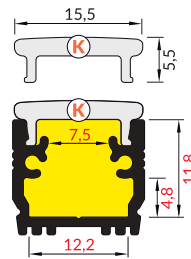


COVERS

K click cover
 colour: white
 material: PC



Note! Dimensions of the space needed to install LED source

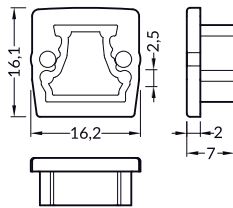


INDEX = 1 pc, length 2000 mm
 package = 10 pcs

K white
 B1040038

ENDINGS

FLOOR12 ending
 colours: silver, grey
 material: ABS



INDEX = 1 set
 package of 10 sets = 20 pcs

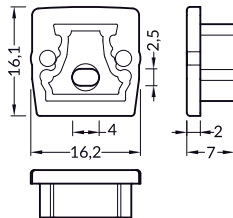
● silver

with hole B1960040 | without hole B1940040

● grey szare

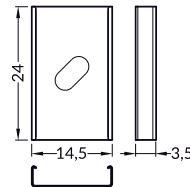
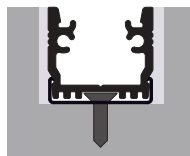
with hole B1960022 | without hole B1940022

FLOOR12 ending with hole
 colours: silver, grey
 material: ABS



MOUNTINGS

U flexible mounting plate
 colour: inox
 material: stainless steel

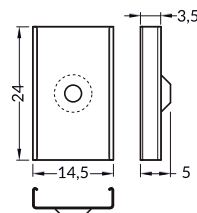
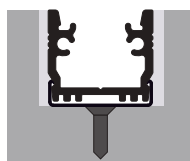


INDEX = 1 set
 package of 10 sets = 20 pcs

U flexible mounting plate

● inox 76380000

cone **U** flexible mounting plate
 colour: inox
 material: stainless steel



cone **U** flexible mounting plate

● inox 76620000

SEALING

sealings for **FLOOR12** endings
 2x silicone sealings
 4x rubber o-ring



In high humidity conditions use waterproof tape and silicone seal



INDEX = 1 set

sealing set
 B1830000



Made in Poland



EU-registered industrial design